

# CONSTRUCTION FEATURES IN DETAIL

## TYPE F 726 PP AND F 726 PVDF

### IN POLYPROPYLENE OR POLYVINYLIDENFLUORIDE SIZE 115 AND 135

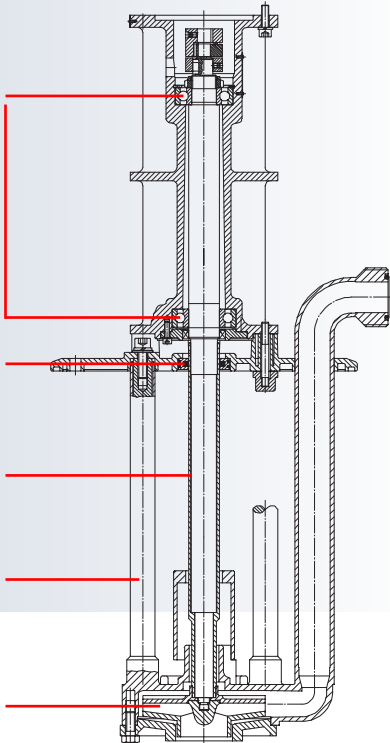
2 antifriction bearings located in a pedestal

seal kit prevents vapours entering the pedestal

robust pump shaft with protective casing

version with support bars for temperatures up to 80 °C (PP) or 100 °C (PVDF)

centrifugal impeller in differing diameters



# CONSTRUCTION FEATURES IN DETAIL

## TYPE F 726 PP AND F 726 PVDF

### IN POLYPROPYLENE OR POLYVINYLIDENFLUORIDE SIZE 185 AND 230

2 antifriction bearings located in a pedestal

seal kit prevents vapours entering the pedestal

robust pump shaft with protective casing

version with support bars for temperatures up to 80 °C (PP) or 100 °C (PVDF)

centrifugal impeller in differing diameters

